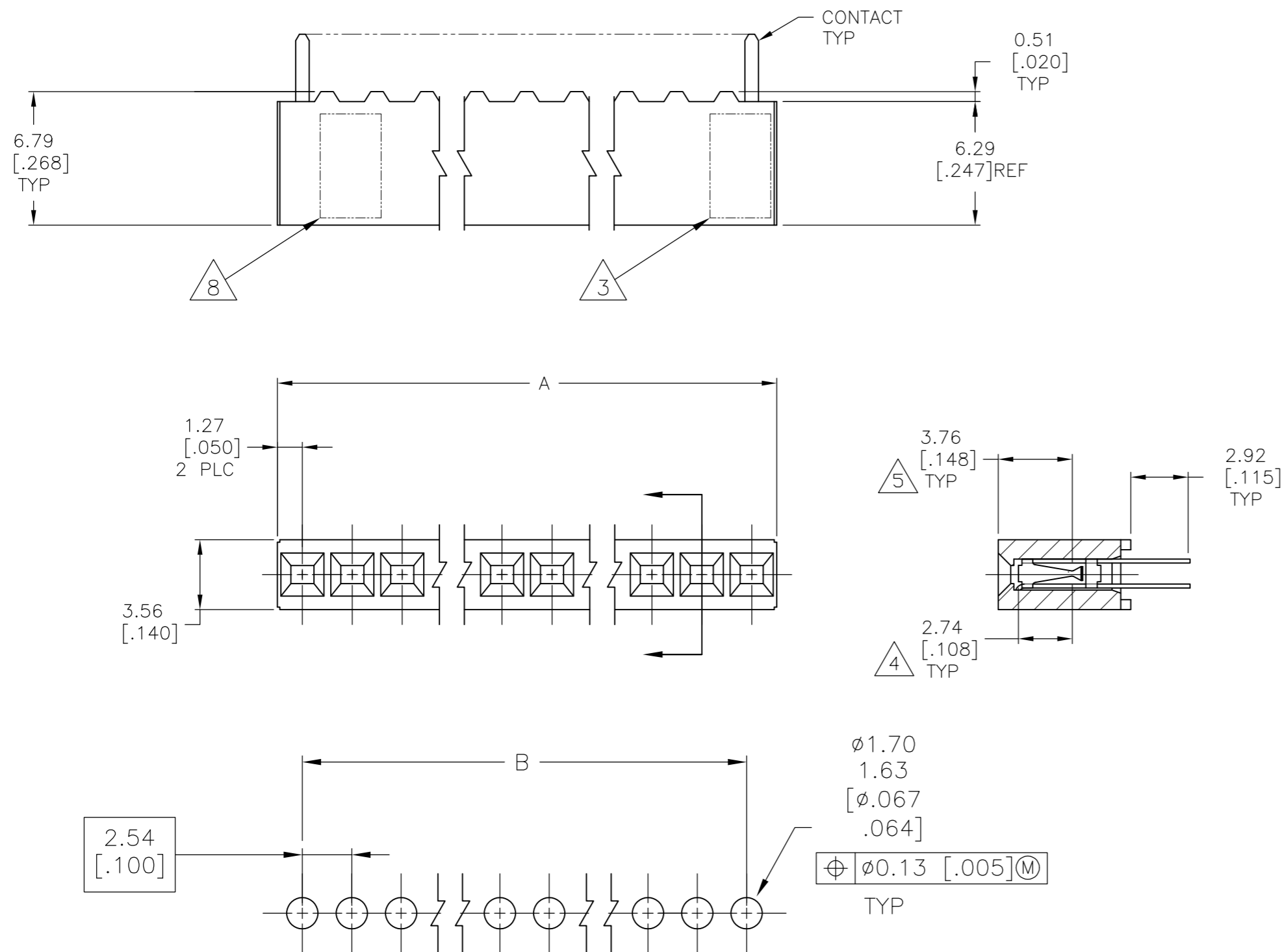


THIS DRAWING IS UNPUBLISHED. RELEASED FOR PUBLICATION
 © COPYRIGHT - By - ALL RIGHTS RESERVED.

LOC		DIST		REVISIONS			
P	LTR	DESCRIPTION		DATE	DWN	APVD	
AD	00	AA3	REVISED PER ECO-11-004917	11MAR11	RK	HMR	



RECOMMENDED PC BOARD HOLE PATTERN

PC BOARD THICKNESS 1.57 [.062]

- 1 HOUSING: GLASS FILLED FLAME RETARDANT POLYESTER, COLOR BLACK, CONTACTS: PHOSPHOR BRONZE.
- 2 CONTACTS: DUPLEX PLATED 0.76 MICROMETERS [.000030] GOLD IN CONTACT AREA 3.81-7.62 MICROMETERS [.000150-.000300] BRIGHT TIN-LEAD ON SOLDER LEADS. ALL OVER 1.27 [.000050] MIN NICKEL.
- 3 TE CONNECTIVITY, CSA LOGO MOLDED INTO HOUSING.
- 4 POINT OF MEASUREMENT FOR PLATING THICKNESS, MEASURED INSIDE CONTACT BEAMS
- 5 POINT OF CONTACT DIMENSION.
- 6 CONTACTS: DUPLEX PLATED 0.76 MICROMETERS (.000030) GOLD IN CONTACT AREA 3.81-7.62 MICROMETERS (.000150-.000300) MATTE TIN ON SOLDER LEADS. ALL OVER 1.27 (.000050) MIN NICKEL.
- 7 ROHS 2002 /95/EC COMPLIANT.
- 8 PART NUMBER AND DATE CODE MARKED IN APPROXIMATE LOCATION SHOWN.
- 9 NO PART NUMBER MARKING REQUIRED FOR THIS PART.
- 10 FOR 2 POS, DATE CODES MARKED OPPOSITE SIDE OF TE CONNECTIVITY LOGO.
- 11 OBSOLETE PARTS: OBSOLETE CIS STREAMLINING PER D.RENAUD/D.SINISI

FINISH	A	B	NO OF POSN	PART NUMBER
2	5.08 [.200]	2.54 [.100]	2	3-87879-9
2	12.70 [.500]	10.16 [.400]	5	3-87879-8
2	7.62 [.300]	5.08 [.200]	3	3-87879-7
2	10.16 [.400]	7.62 [.300]	4	3-87879-6
2	101.60 [4.000]	99.06 [3.900]	40	3-87879-5
2	99.06 [3.900]	96.52 [3.800]	39	3-87879-4
2	96.52 [3.800]	93.98 [3.700]	38	3-87879-3
2	93.98 [3.700]	91.44 [3.600]	37	3-87879-2
2	91.44 [3.600]	88.90 [3.500]	36	3-87879-1
2	88.90 [3.500]	86.36 [3.400]	35	3-87879-0
2	86.36 [3.400]	83.82 [3.300]	34	2-87879-9
2	83.82 [3.300]	81.28 [3.200]	33	2-87879-8
2	81.28 [3.200]	78.74 [3.100]	32	2-87879-7
2	78.74 [3.100]	76.20 [3.000]	31	2-87879-6
2	76.20 [3.000]	73.66 [2.900]	30	2-87879-5
2	73.66 [2.900]	71.12 [2.800]	29	2-87879-4
2	71.12 [2.800]	68.58 [2.700]	28	2-87879-3
2	68.58 [2.700]	66.04 [2.600]	27	2-87879-2
2	66.04 [2.600]	63.50 [2.500]	26	2-87879-1
2	63.50 [2.500]	60.96 [2.400]	25	2-87879-0
2	60.96 [2.400]	58.42 [2.300]	24	1-87879-9
2	58.42 [2.300]	55.88 [2.200]	23	1-87879-8
2	55.88 [2.200]	53.34 [2.100]	22	1-87879-7
2	53.34 [2.100]	50.80 [2.000]	21	1-87879-6
2	50.80 [2.000]	48.26 [1.900]	20	1-87879-5
2	48.26 [1.900]	45.72 [1.800]	19	1-87879-4
2	45.72 [1.800]	43.18 [1.700]	18	1-87879-3
2	43.18 [1.700]	40.64 [1.600]	17	1-87879-2
2	40.64 [1.600]	38.10 [1.500]	16	1-87879-1
2	38.10 [1.500]	35.56 [1.400]	15	1-87879-0
2	35.56 [1.400]	33.02 [1.300]	14	87879-9
2	33.02 [1.300]	30.48 [1.200]	13	87879-8
2	30.48 [1.200]	27.94 [1.100]	12	87879-7
2	27.94 [1.100]	25.40 [1.000]	11	87879-6
2	22.86 [.900]	20.32 [.800]	9	87879-5
2	17.78 [.700]	15.24 [.600]	7	87879-4
2	15.24 [.600]	12.70 [.500]	6	87879-3
2	25.40 [1.00]	22.86 [.900]	10	87879-2
2	20.32 [.800]	17.78 [.700]	8	87879-1

THIS DRAWING IS A CONTROLLED DOCUMENT. DWN J KNAUB 12-20-93
 CHK A GABANY 6-28-94

DIMENSIONS: mm [INCHES] TOLERANCES UNLESS OTHERWISE SPECIFIED:
 0 PLC ± -
 1 PLC ± -
 2 PLC ± -
 3 PLC ± .127 [.005]
 4 PLC ANGLES ± -

PRODUCT SPEC 108-25022
 APPLICATION SPEC 114-25018

MATERIAL 1 FINISH 2 6


TE Connectivity
 CONNECTOR ASSEMBLY, MOD IV, SINGLE ROW .100CL, DUAL ENTRY

SIZE A2 CAGE CODE 00779 DRAWING NO C=87879 RESTRICTED TO -
 SCALE 4:1 SHEET 1 OF 2 REV AA3

THIS DRAWING IS UNPUBLISHED. RELEASED FOR PUBLICATION
 © COPYRIGHT - By - ALL RIGHTS RESERVED.

LOC	DIST	REVISIONS			
P	LTR	DESCRIPTION	DATE	DWN	APVD
-	-	SEE SHEET 1	-	-	-

FINISH	A	B	NO OF POSN	PART NUMBER
OBSOLETE	5.08[.200]	2.54[.100]	2	8-87879-9
OBSOLETE	12.70[.500]	10.16[.400]	5	8-87879-8
OBSOLETE	7.62[.300]	5.08[.200]	3	8-87879-7
OBSOLETE	10.16[.400]	7.62[.300]	4	8-87879-6
OBSOLETE	101.60[4.000]	99.06[3.900]	40	8-87879-5
OBSOLETE	99.06[3.900]	96.52[3.800]	39	8-87879-4
OBSOLETE	96.52[3.800]	93.98[3.700]	38	8-87879-3
OBSOLETE	93.98[3.700]	91.44[3.600]	37	8-87879-2
OBSOLETE	91.44[3.600]	88.90[3.500]	36	8-87879-1
OBSOLETE	88.90[3.500]	86.36[3.400]	35	8-87879-0
OBSOLETE	86.36[3.400]	83.82[3.300]	34	7-87879-9
OBSOLETE	83.82[3.300]	81.28[3.200]	33	7-87879-8
OBSOLETE	81.28[3.200]	78.74[3.100]	32	7-87879-7
OBSOLETE	78.74[3.100]	76.20[3.000]	31	7-87879-6
OBSOLETE	76.20[3.000]	73.66[2.900]	30	7-87879-5
OBSOLETE	73.66[2.900]	71.12[2.800]	29	7-87879-4
OBSOLETE	71.12[2.800]	68.58[2.700]	28	7-87879-3
OBSOLETE	68.58[2.700]	66.04[2.600]	27	7-87879-2
OBSOLETE	66.04[2.600]	63.50[2.500]	26	7-87879-1
OBSOLETE	63.50[2.500]	60.96[2.400]	25	7-87879-0
OBSOLETE	60.96[2.400]	58.42[2.300]	24	6-87879-9
OBSOLETE	58.42[2.300]	55.88[2.200]	23	6-87879-8
OBSOLETE	55.88[2.200]	53.34[2.100]	22	6-87879-7
OBSOLETE	53.34[2.100]	50.80[2.000]	21	6-87879-6
OBSOLETE	50.80[2.000]	48.26[1.900]	20	6-87879-5
OBSOLETE	48.26[1.900]	45.72[1.800]	19	6-87879-4
OBSOLETE	45.72[1.800]	43.18[1.700]	18	6-87879-3
OBSOLETE	43.18[1.700]	40.64[1.600]	17	6-87879-2
OBSOLETE	40.64[1.600]	38.10[1.500]	16	6-87879-1
OBSOLETE	38.10[1.500]	35.56[1.400]	15	6-87879-0
OBSOLETE	35.56[1.400]	33.02[1.300]	14	5-87879-9
OBSOLETE	33.02[1.300]	30.48[1.200]	13	5-87879-8
OBSOLETE	30.48[1.200]	27.94[1.100]	12	5-87879-7
OBSOLETE	27.94[1.100]	25.40[1.000]	11	5-87879-6
OBSOLETE	22.86[.900]	20.32[.800]	9	5-87879-5
OBSOLETE	17.78[.700]	15.24[.600]	7	5-87879-4
OBSOLETE	15.24[.600]	12.70[.500]	6	5-87879-3
OBSOLETE	25.40[1.00]	22.86[.900]	10	5-87879-2
OBSOLETE	20.32[.800]	17.78[.700]	8	5-87879-1

THIS DRAWING IS A CONTROLLED DOCUMENT.		DWN J KNAUB 12-20-93	 TE Connectivity		
DIMENSIONS: mm [INCHES]		CHK A GABANY 6-28-94			
TOLERANCES UNLESS OTHERWISE SPECIFIED:		APVD -	NAME CONNECTOR ASSEMBLY, MOD IV, SINGLE ROW .100CL, DUAL ENTRY		
0 PLC ± - 1 PLC ± - 2 PLC ± - 3 PLC ± .127[.005] 4 PLC ± - ANGLES ± -		PRODUCT SPEC 108-25022	SIZE A2	CAGE CODE 00779	DRAWING NO C=87879
MATERIAL 1	FINISH 2 6	APPLICATION SPEC 114-25018	RESTRICTED TO -	SCALE 1:1	
CUSTOMER DRAWING			SHEET 2 OF 2	REV AA3	